



INTERIORS

THE GINZA FURNITURE

The **Ginza** furniture pieces are all about square shapes and perfect proportions, designed with space between the back and armrests to accommodate with the **utmost comfort**. The name is a tribute to debut showing of these pieces, on the top floor of Loro Piana's recently opened flagship store in Tokyo. **They feature a sofa, an armchair, a daybed and a pouf.**



An enhanced experience of **comfort**, the pleasure of sitting and relaxing, feeling the sensation to be welcomed and embraced **without any constriction** or limitation.



A **well balanced space** between the back and the armrests, so that the whole piece can breathe and envelop at the same time

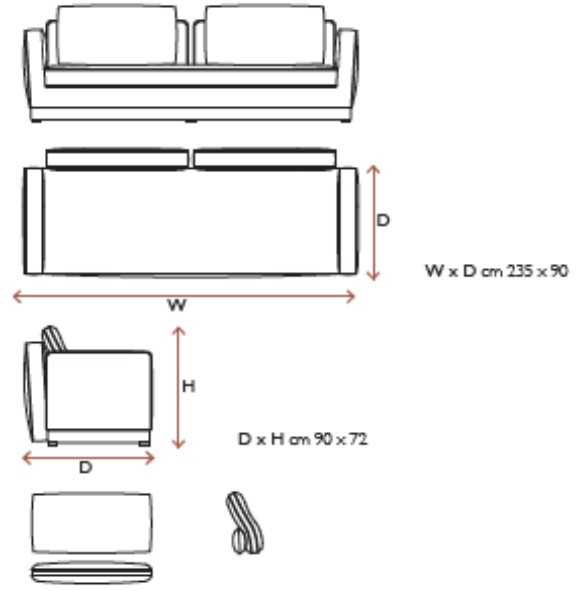
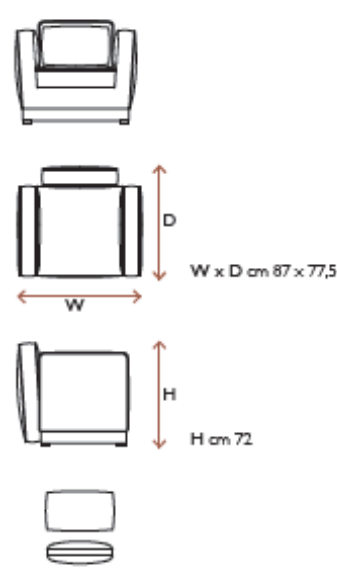
Clever layers of **exclusive technology** inside.

- Special high density **polyurethane foam** with components that prevent it from being too sensible to the external temperature and thermoregulating properties
- The foam tends to **harmonize with the body temperature** of the person sitting in the armchair or sofa for maximum comfort
- The foam is **reactive to the weight**. It embraces the body adapting to its shape
- The **more solid structure underneath the foam** layer bears the body weight and keeps it in the best possible position
- **Circular protections** under the brass feet, made of the same rubber as our the soles of Loro Piana shoes. Anti slippery and no scratch function

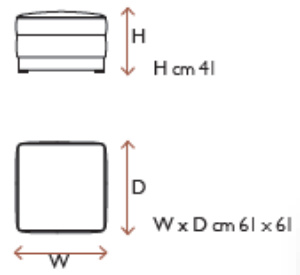




The Ginza Armchair



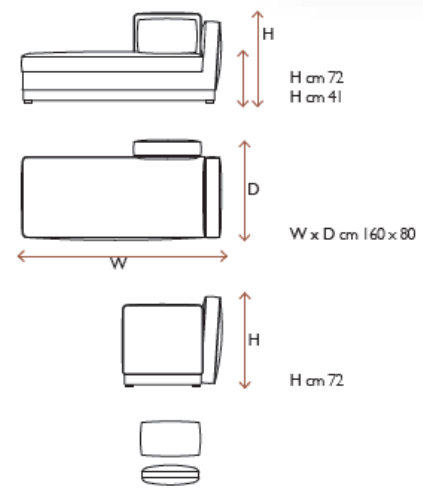
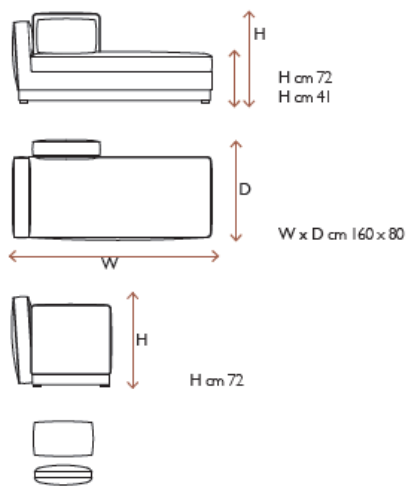
The Ginza Sofa



The Ginza Pouf



The Ginza Daybed Dx and Sx



All pieces available in select Loro Piana Interiors fabrics